

## Rolling shutters from Griesser. Rolpac®



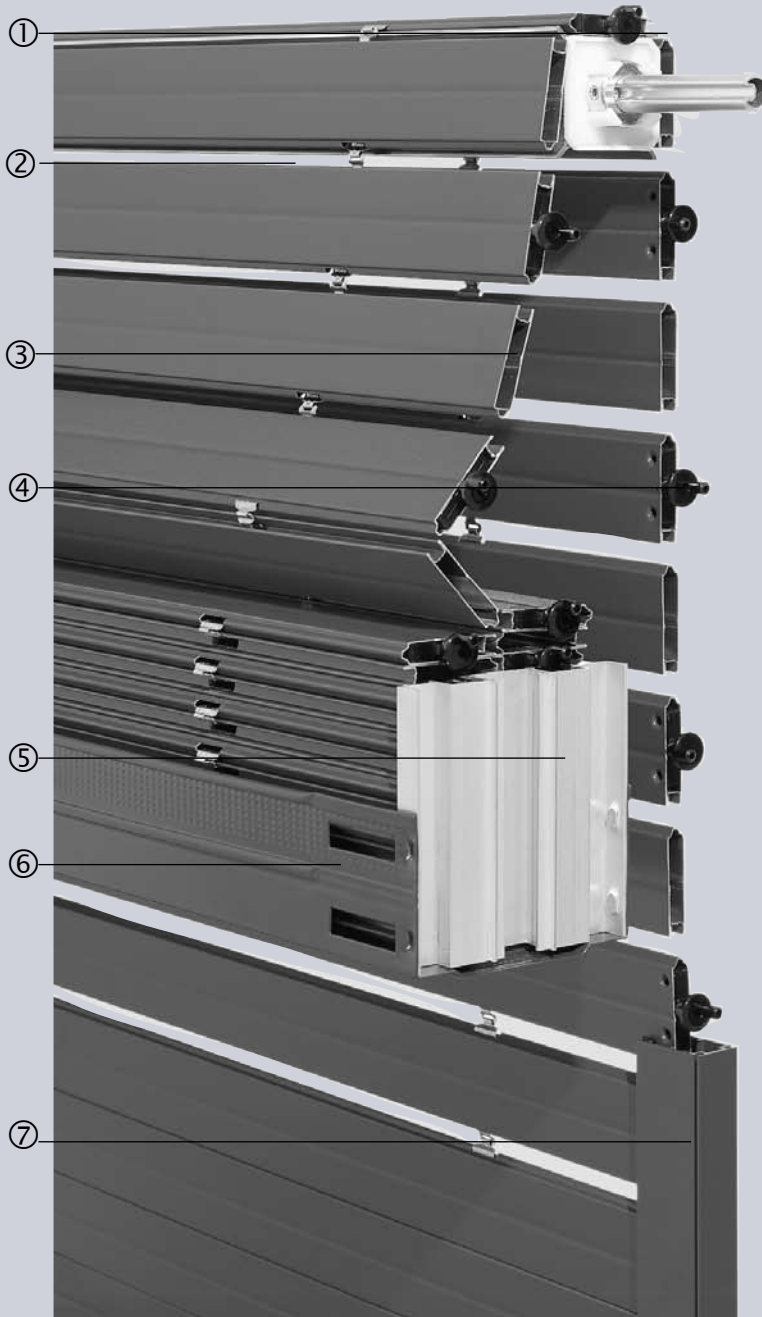
min. 500 mm, crank drive  
min. 760 mm, motor drive  
max. 3000 mm



min. 470 mm  
max. 2500 mm



max. 6.5 m<sup>2</sup>, single rolling shutter  
max. 8 m<sup>2</sup>, connected systems



**The rolling shutter with more light, good room ventilation and reassuring peace of mind.**

With Rolpac®, Griesser has revolutionized rolling shutter technology. The stackable shutter is fitted in front of the window, thereby guaranteeing the entire window good insulation from the cold and noise. The baked enamel finish sheet metal channel functions both as a support system and a clean niche end. Constant refinement and optimized installation technology make Rolpac® an economical rolling shutter system for new buildings and façade renovations. The generous slat spacing (8 mm) allows more light into the room and enables the room to be better ventilated than with a conventional rolling shutter. When completely lowered, Rolpac® stackable shutters dim the room well.

- Slats are stacked and not rolled up
- More light thanks to generous spacing between slats
- Integrated safety locking device
- Safety sensing edge (optional)

- 1 Axle
- 2 Slat connection
- 3 Hollow slat
- 4 Guide bolt
- 5 Stack guide
- 6 Housing
- 7 Guide rail



## Limit dimensions

*bk* Width of construction  
(rear edge of guide rails)

Minimum

- Crank drive 500
- Motor drive 760

Maximum 3000

In the case of buildings and high-rise structures which are very exposed to wind, this maximum value should be decreased as required.

*hl* Opening Height

Minimum 470

Maximum 2500

*bk* × *hl* Maximum surface area

Single rolling shutter

- Crank drive 6.5 m<sup>2</sup>
- Motor drive 6.5 m<sup>2</sup>

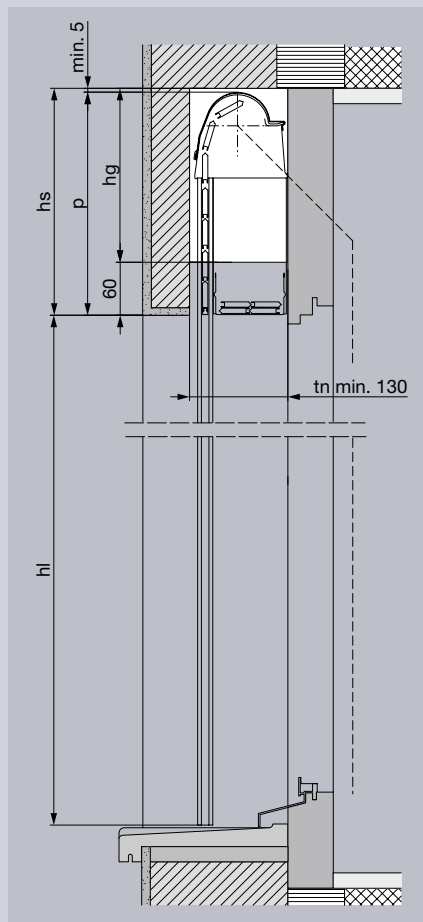
Connected systems

- Crank drive 8 m<sup>2</sup>  
(max. 4 rolling shutters)

A maximum of 2 rolling shutters may be connected on each side of the gearbox.

- Motor drive 8 m<sup>2</sup>  
(max. 2 rolling shutters)

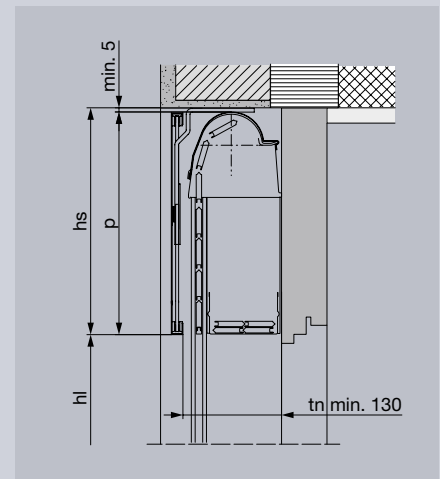
Side elevation: Example of header



Depth of niche

Depth of niche *tn*: 130 mm + possible addition for protruding weather-board or doorknobs.

Side elevation: Example of cover



Top elevation for crank drive

With recess (white) for gearbox (min. 50 mm for motor drive). *x* = Dimension from rear edge of guide rails to centre of drive; depending on window construction, min. 25 mm.

## Header dimensions

Opening height ( <i>hl</i> )	Header height ( <i>hs</i> )*
mm	mm
470-1050	230
1051-1320	260
1321-1600	290
1601-1870	320
1871-2150	350
2151-2425	380
2426-2500	410

\* A clearance of 5 mm is included in the above dimensions to make up for the dimensional tolerance of the header height. For technical reasons the header height must not be interpolated for intermediate dimensions.

### Key

- bk** = Width of construction
- hl** = Opening height
- p** = Height of package
- gh** = Total height (*hl* + *p*)
- hs** = Header height
- hg** = Height of gearbox recess (*hs* - 60)
- tn** = Depth of niche

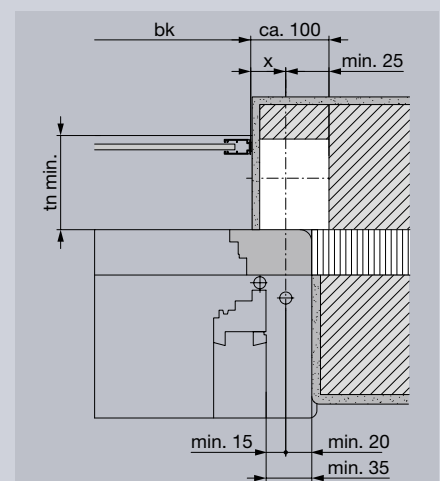
All dimensions in mm.

Gearbox recess

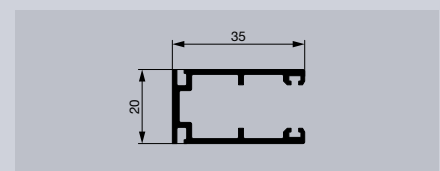
The height of the gearbox recess *hg* depends on the necessary header height *hs*. With a motor drive, the height *hg* is at least 200 mm. Therefore with header heights of less than 260 mm, the standard spacing of 60 mm between the bottom of the gearbox recess and the bottom of the header must be decreased accordingly.



41 mm slat



Guide rails



## Design description

### *Rolling shutter system*

Aluminum stackable shutter with compulsory folding and closing function. Baked enamel finish sheet metal housing as support system for slat package and lower niche end. Spindle made from galvanized sheet steel.

### *Rolling shutter curtain*

Aluminum hollow slats, 41 × 8 mm, with guide bolts pressed into the side. Mobile slat connection made from stainless steel, air and light slot 8 mm.

### *Guide rails*

20 x 35 mm, made from extruded aluminum, transparently anodized (baked enamel finish for an additional price) with weatherproof noise insulation inserts.

## Colors

### *GriColors*

The GriColors standard range includes 100 color shades in four collections, Glass & Stone, Sun & Fire, Water & Moss and Earth & Wood – from cool white and sunny red to natural blue and earthy brown.

### *BiColor (option)*

Rolling shutters get a new color: when the outside of the slat is brightly colored, a neutral light tone on the inside can optimize the slat functions (for an additional charge). The guides are transparently anodized (baked enamel finish in one color for an additional charge).

## Operating instructions

- The systems must not be operated if there is a risk of ice.
- The systems must be accessible for maintenance work.
- Observe the VSR data sheets.

For more information about our services and products go to [www.griessergroup.com](http://www.griessergroup.com).



## Your partner

Subject to change without prior notice